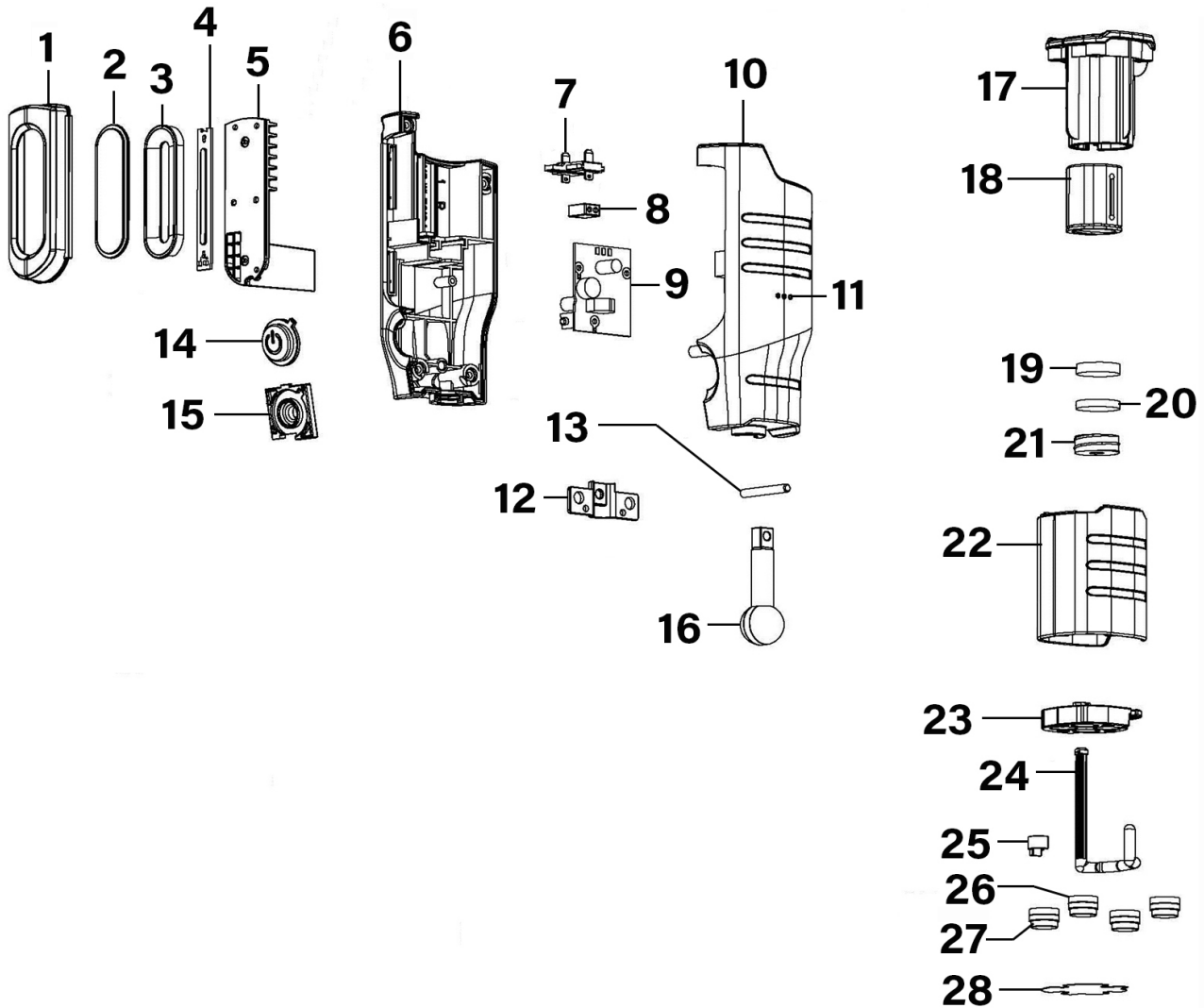


Parts Information:  
**360° Inspection Lamp COB LED 12V Li-ion**  
**- Body Only**  
**Model No: LED36012V**



Item	Part No.	Description
1	LED36012V.01	Plastic Reflector
2	LED36012V.02	COB Lens
3	LED36012V.03	COB Lens Base
4	LED36012V.04	10W COB
5	LED36012V.05	Support Plate
6	LED36012V.06	Housing, Left Side
7	LED36012V.07	Power Indicator
8	LED36012V.08	Indicator Support
9	LED36012V.09	PCB
10	LED36012V.10	Top Cover
11	LED36012V.11	Housing, Right Side
12	LED360PLUS.34	Pivot Board
13	LED360.V2-21	Rotating Ball Pin
14	LED36012V.14	Switch Cap

Item	Part No.	Description
15	LED36012V.15	Switch Cap Base
16	LED360.V2-20	Rotating Ball
17	LED36012V.17	Rotating Support
18	LED3602G.12	Rotating Support (Small)
19	LED360.V2-04	Ball Support (Lower)
20	LED360.V2-22	Wave Spring
21	LED3602G.14	Pivot Protection Ring
22	LED36012V.22	Handle
23	LED36012V.23	Magnet Base
24	LED36012V.24	Hook
25	LED36012V.25	Hook Support
26	LED36012V.26	Magnet (A)
27	LED36012V.27	Magnet (B)
28	LED36012V.28	Magnet Sticker

**NOTE:** It is our policy to continually improve products and as such we reserve the right to alter data, specifications and component parts without prior notice. There may be alternative versions of this product, please contact us should you require this information.

**IMPORTANT:** No liability is accepted for incorrect use of product. Spare parts must be fitted by a competent person

**WARRANTY:** Guarantee is 12 months from purchase date, proof of which will be required for any claim.